

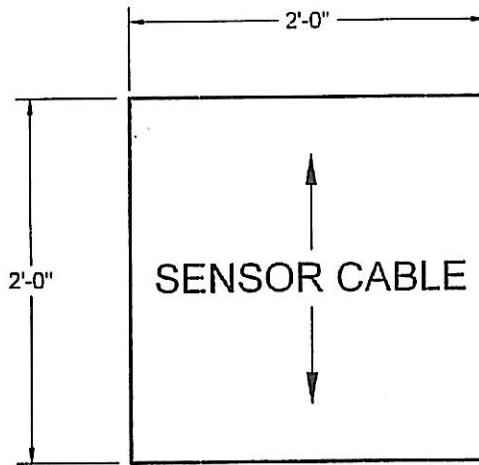
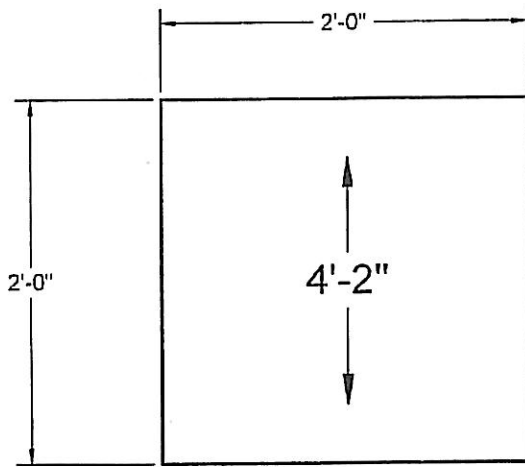


MCCA CONCRETE PRODUCTS, INC.  
8709 STATE ROUTE 159  
DORSEY, IL 62021  
618-377-3888  
FAX 618-377-7746

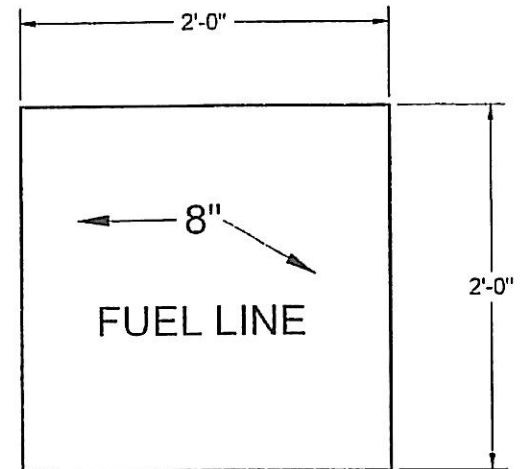
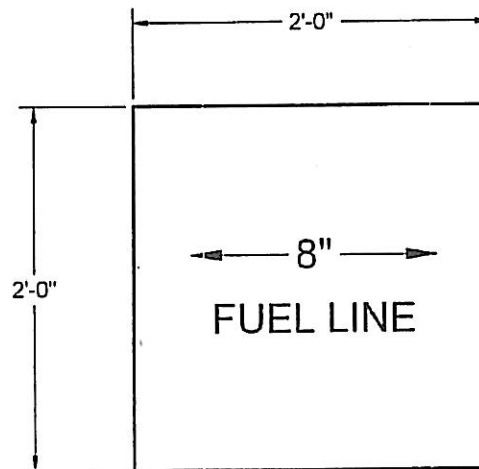
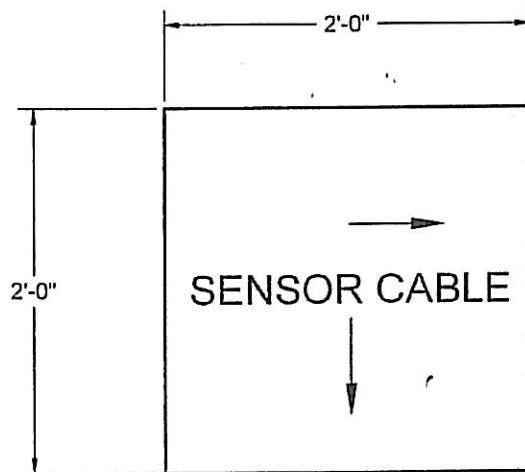
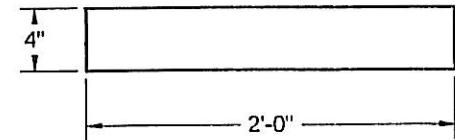
## DUCT MARKERS

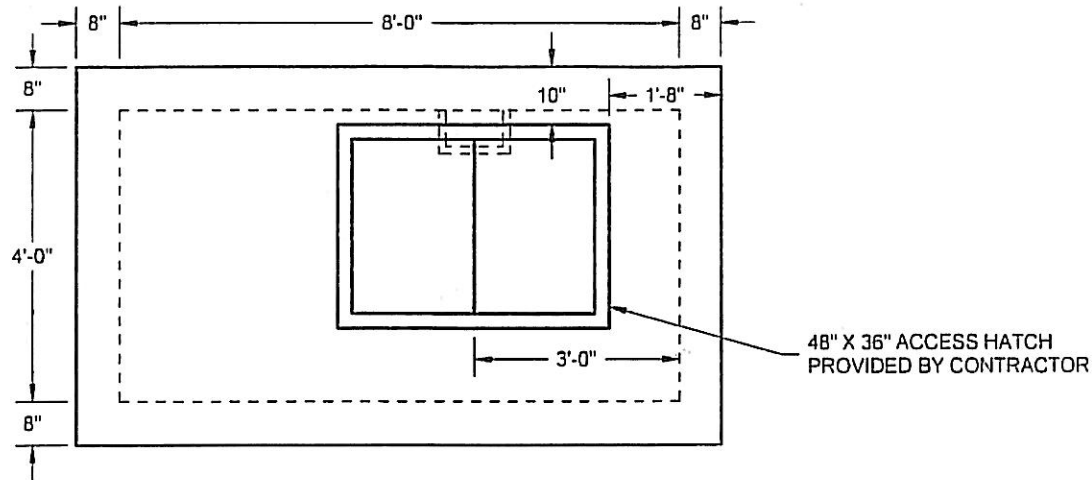
CONTRACTOR \_\_\_\_\_

LOCATION \_\_\_\_\_



PLEASE CHECK ALL DUCT MARKERS  
FOR ACCURACY.





PLAN

CONTRACTOR \_\_\_\_\_  
 CONTRACT # \_\_\_\_\_  
 LOCATION \_\_\_\_\_  
 QUANTITY \_\_\_\_\_  
 PRODUCTION # \_\_\_\_\_

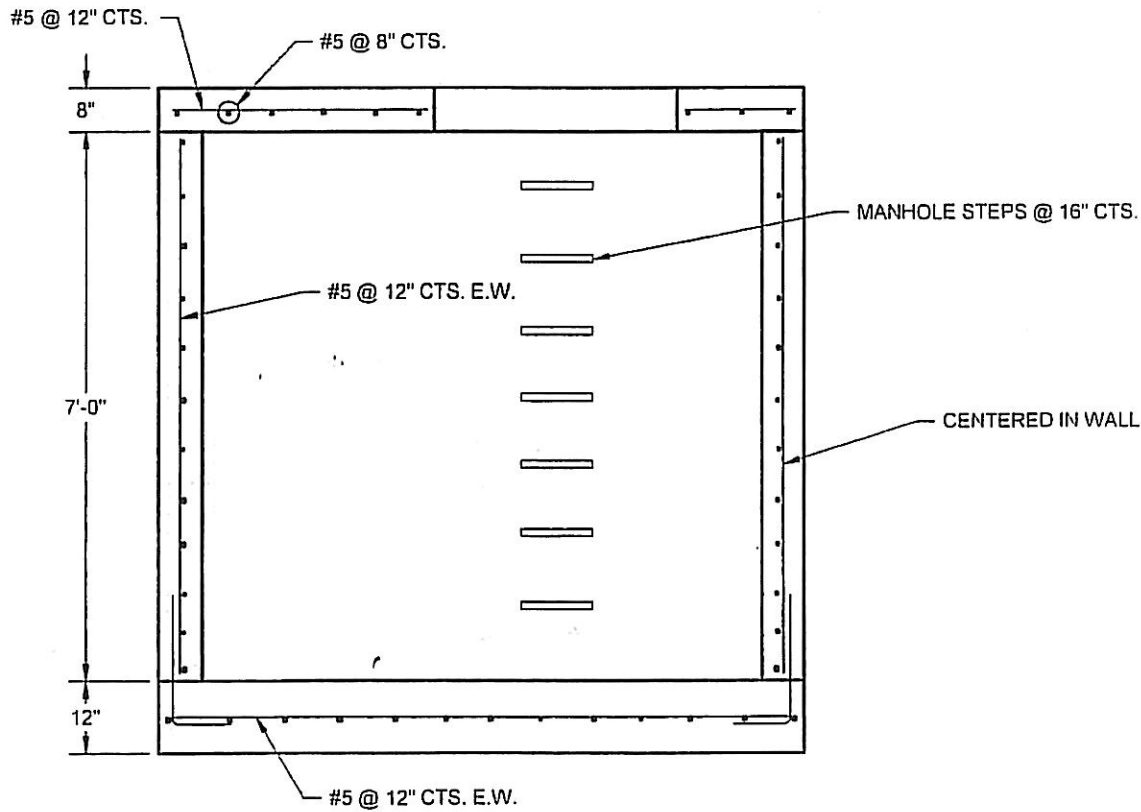


McCANN CONCRETE PRODUCTS, INC.  
 8709 STATE ROUTE 159  
 DORSEY, IL 62021  
 618-377-3888  
 FAX 618-377-7746

GENERAL NOTES

- CONTRACTOR TO PROVIDE ACCESS HATCH.
- 60,000 P.S.I. REINFORCEMENT STEEL.
- 5,000 P.S.I. CONCRETE AFTER 28 DAYS.

VARIOUS ELECTRICAL VAULTS



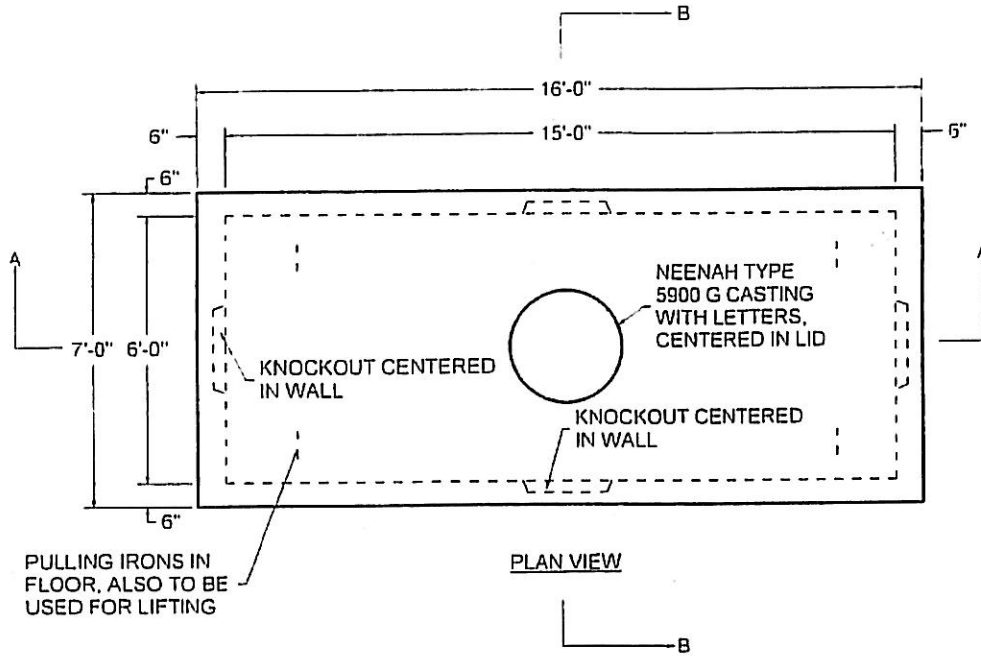
CROSS SECTION

# VARIOUS ELECTRICAL VAULTS

CONTRACT # \_\_\_\_\_  
 LOCATION \_\_\_\_\_  
 QUANTITY \_\_\_\_\_  
 REPRODUCTION # \_\_\_\_\_

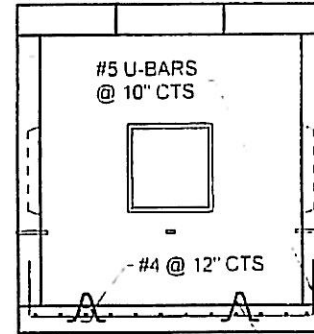


**McCANIN CONCRETE PRODUCTS, INC**  
 8709 STATE ROUTE 159  
 DORSEY, IL 62021  
 618-377-3888  
 FAX 618-377-7746



PULLING IRONS IN FLOOR, ALSO TO BE USED FOR LIFTING

PLAN VIEW

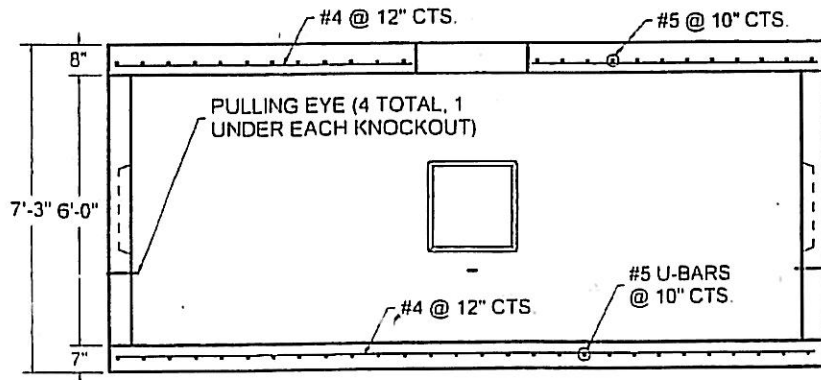


PULLING IRON, 4 TOTAL ALSO USED FOR LIFTING

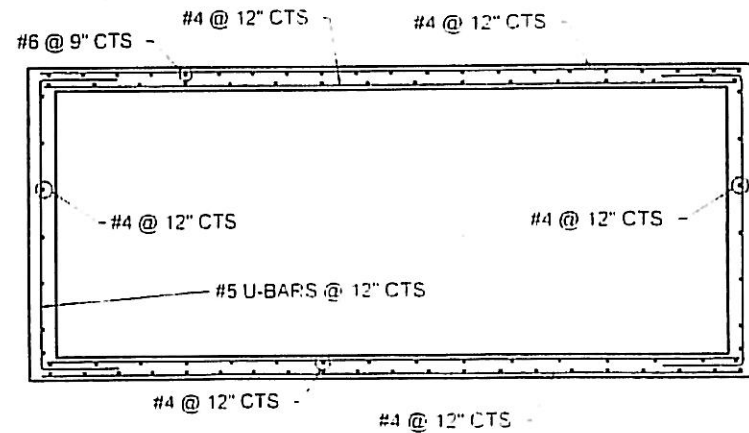
SECTION B-B

GENERAL NOTES

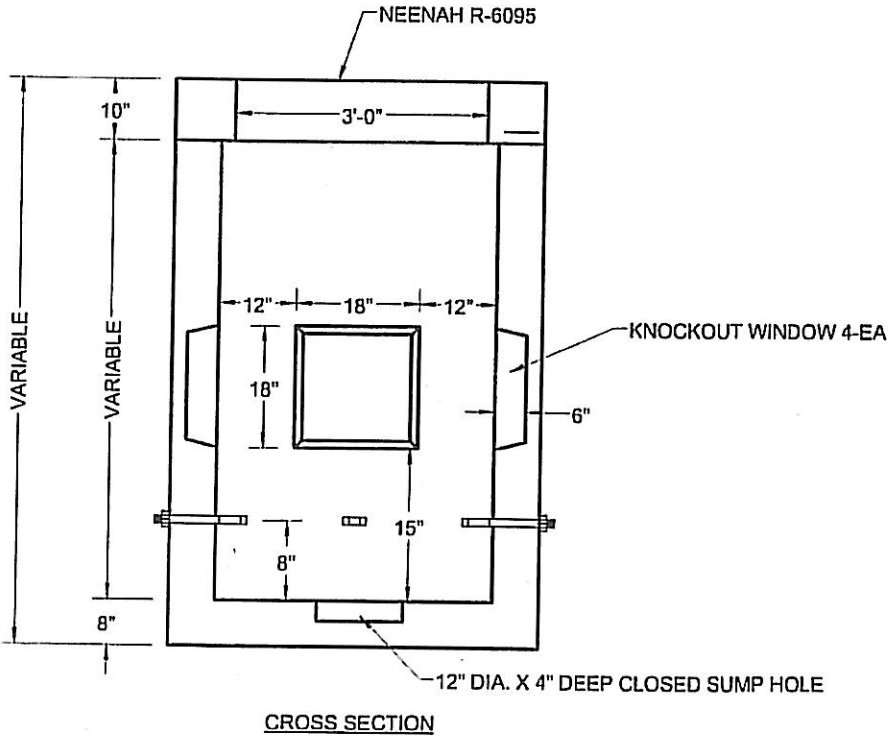
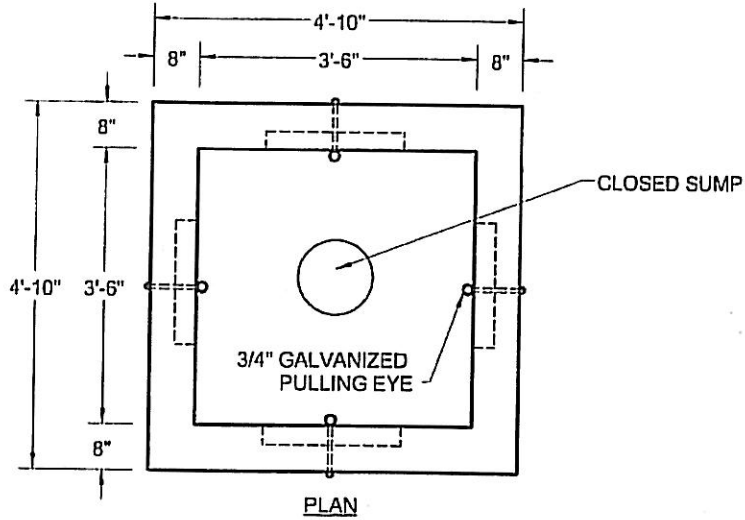
- 5,000 P S I CONCRETE AFTER 28 DAYS
- 60,000 P S I REINFORCEMENT



SECTION A-A



REINFORCEMENT PLAN



GENERAL NOTES

MINIMUM CONCRETE STRENGTH SHALL BE 4,500 P.S.I. AFTER 28 DAYS.

REINFORCEMENT SHALL BE GRADE 60.

TYPICAL SIZES

- |         |               |         |         |
|---------|---------------|---------|---------|
| 3' X 3' | 3'-6" X 3'-6" | 4' X 4' | 5' X 5' |
| 6' X 6' | 7' X 7'       | 8' X 8' |         |

CUSTOM SIZES AVAILABLE, PLEASE SPECIFY

REVISIONS

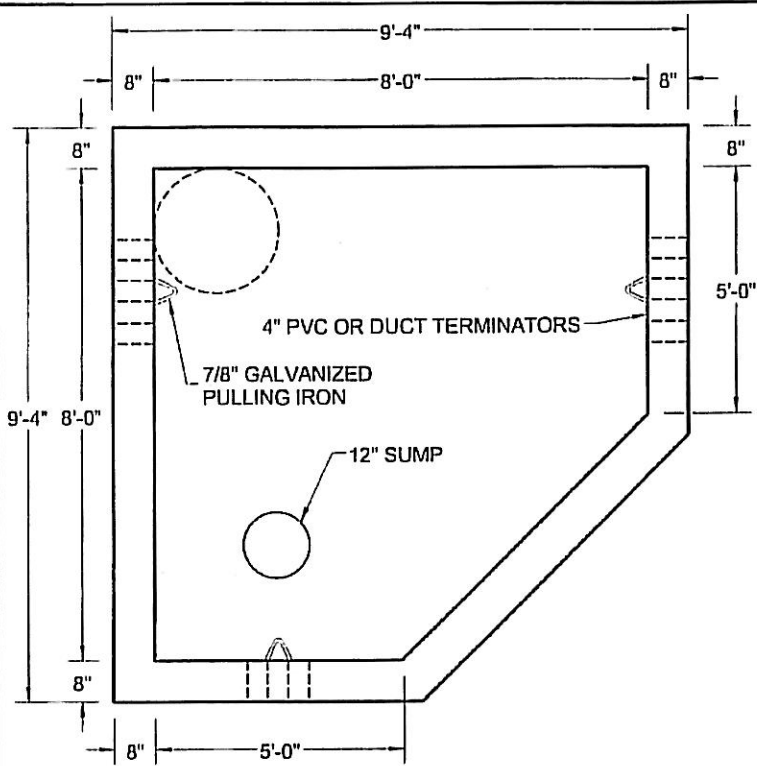
ELECTRIC MANHOLE

McCANN CONCRETE PRODUCTS, INC.  
Precasting To Meet Your Needs

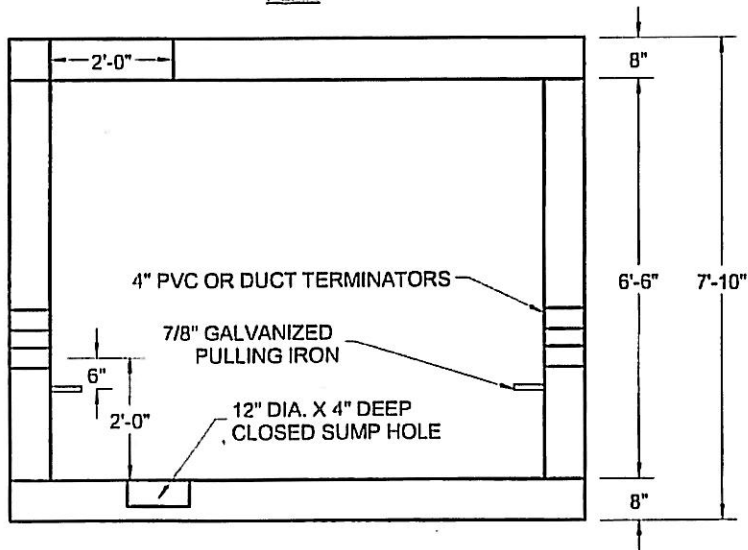
8709 STATE ROUTE 159  
DORSEY, IL 62021  
PHONE: 618-377-3888  
FAX: 618-377-7746



DESIGNED BY	JOB NO.
DRAWN BY R.W.G.	SHEET 1 OF 1
CHECKED BY	
DF 12/	1-1



PLAN

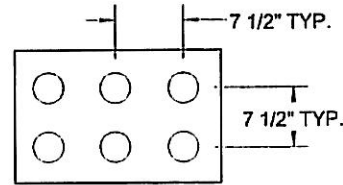


CROSS SECTION

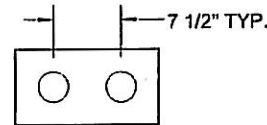
GENERAL NOTES

MINIMUM CONCRETE STRENGTH SHALL BE 5,000 P.S.I. AFTER 28 DAYS.

REINFORCEMENT SHALL BE GRADE 60.



DUCT DETAIL



DUCT DETAIL

REVISIONS

COMMUNICATION MANHOLE

**McCANN CONCRETE PRODUCTS, INC.**  
Precasting To Meet Your Needs

8709 STATE ROUTE 159  
DORSEY, IL 62021  
PHONE: 618-377-3888  
FAX: 618-377-7746

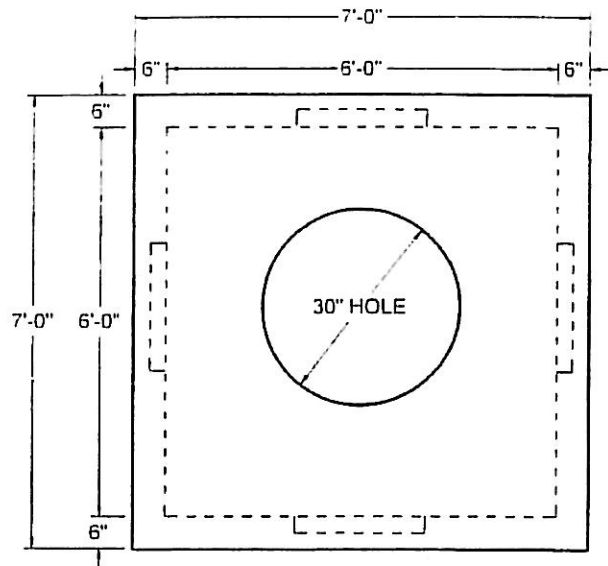


DESIGNED BY \_\_\_\_\_ JOB NO. \_\_\_\_\_

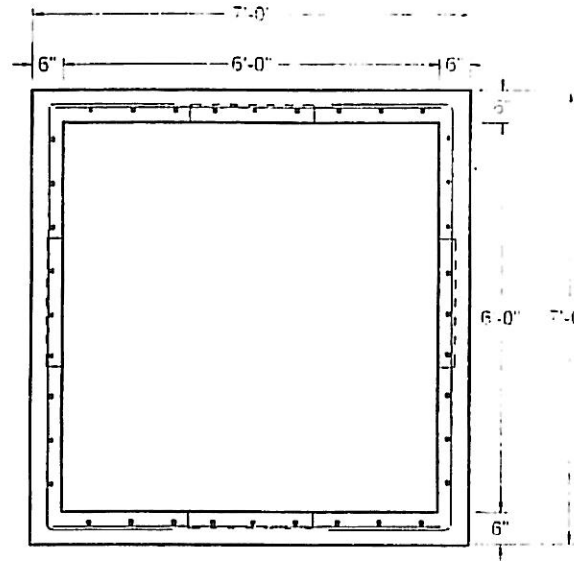
DRAWN BY R.W.G. SHEET 1 OF 1

CHECKED BY \_\_\_\_\_

DA 04/1. 1-1



PLAN



REINFORCEMENT PLAN

CONTRACT TOP \_\_\_\_\_  
 CONTRACT # \_\_\_\_\_  
 LOCATION \_\_\_\_\_  
 QUANTITY \_\_\_\_\_  
 PRODUCTION # \_\_\_\_\_



McCANN CONCRETE PRODUCTS, INC.  
 8709 STATE ROUTE 159  
 DORSEY, IL 62021  
 618-377-3888  
 FAX 618-377-7746

GENERAL NOTES

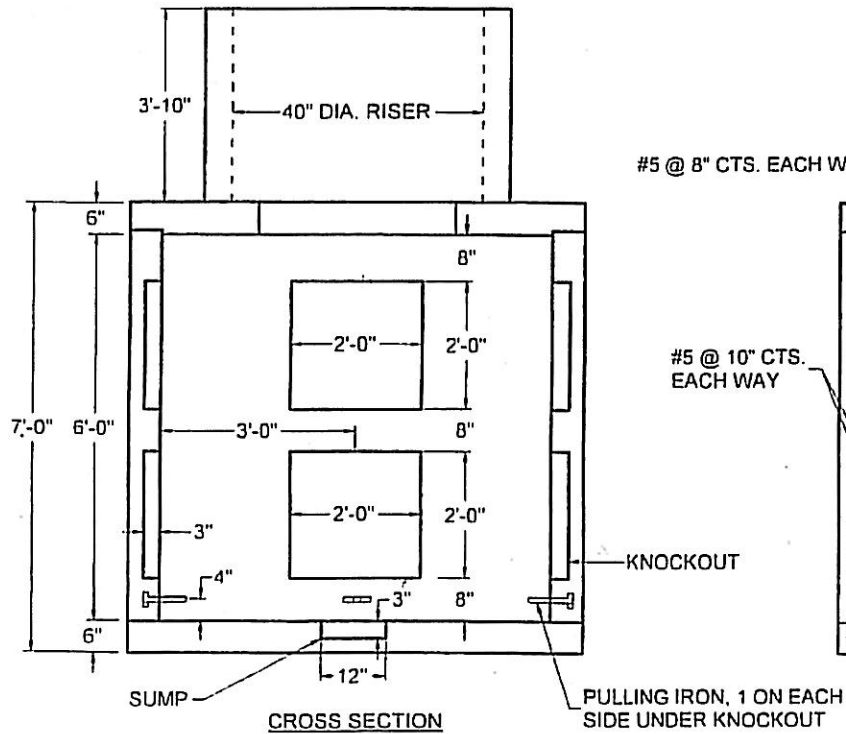
5 000 P S I CONCRETE AFTER 28 DAYS

60 000 P S I REINFORCEMENT

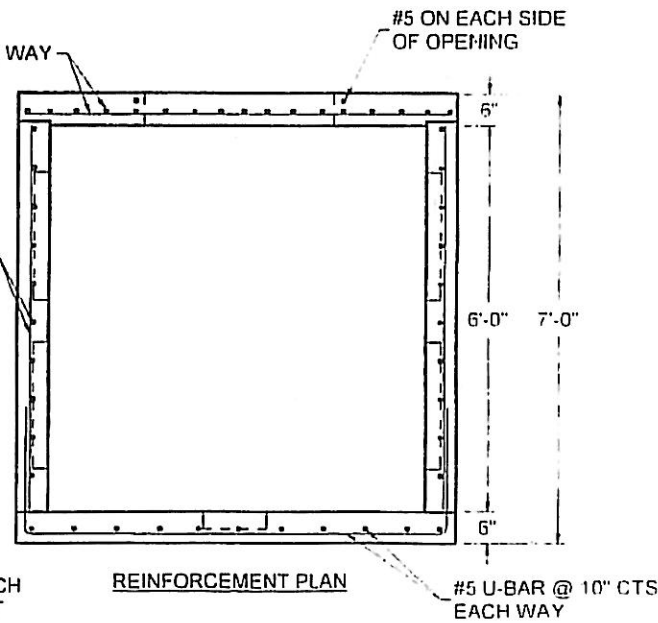
REINFORCEMENT DESIGNED FOR HS 20  
 LOADING AT 3'-10" OF COVER

CASTING SUPPLIED BY CONTRACTOR

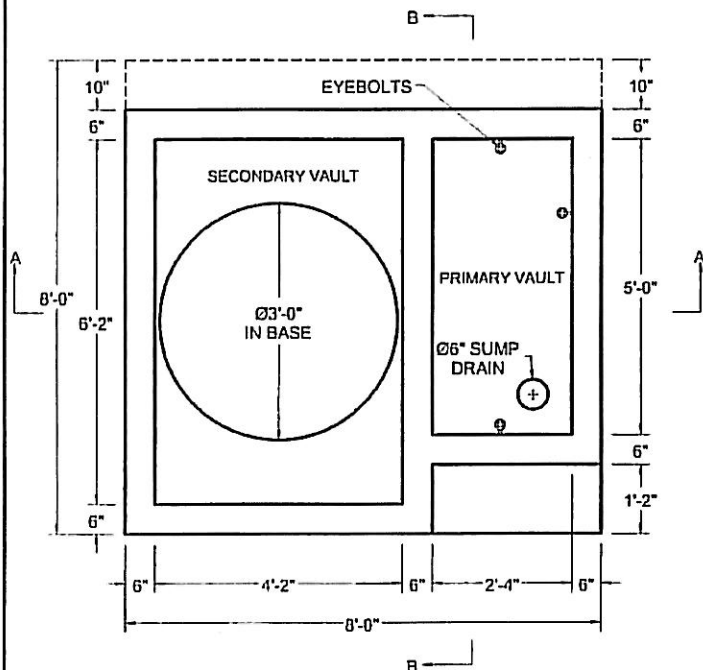
**VARIOUS ELECTRICAL VAULTS**



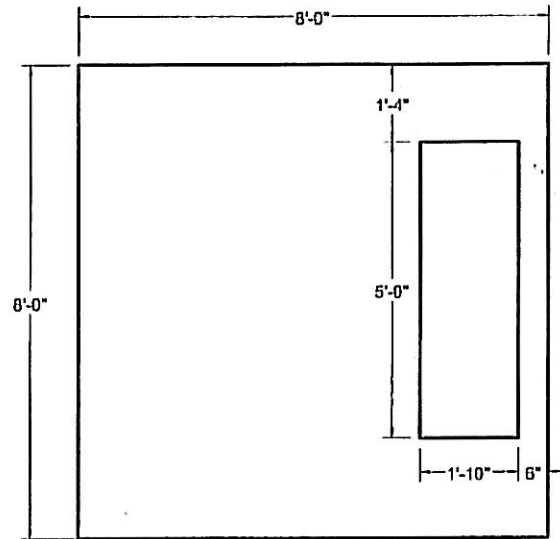
CROSS SECTION



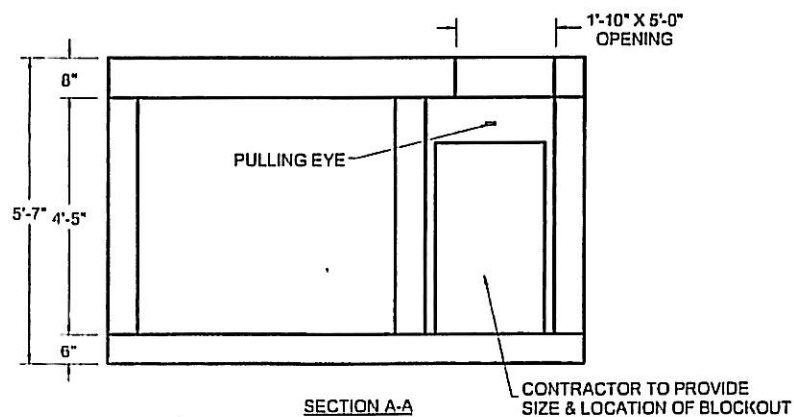
REINFORCEMENT PLAN



PLAN VIEW

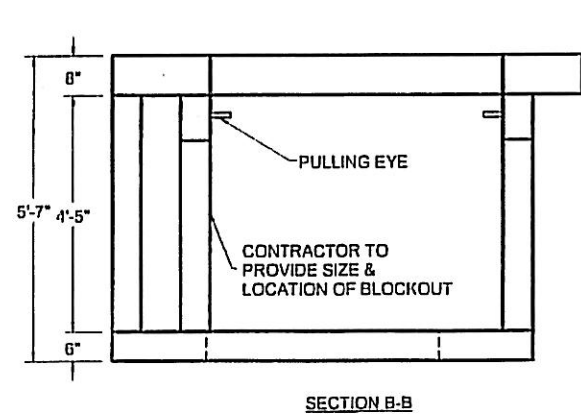


TOP LID



SECTION A-A

CONTRACTOR TO PROVIDE SIZE & LOCATION OF BLOCKOUT



SECTION B-B

GENERAL NOTES

CONTRACTOR TO SUPPLY DUCT TERMINATORS

MINIMUM CONCRETE STRENGTH SHALL BE 5,000 P.S.I. AFTER 28 DAYS.

REINFORCEMENT SHALL BE GRADE 60.

LID WEIGHS 2.7 TONS.

VAULT WEIGHS 5.32 TONS.

REVISIONS

ILLINOIS POWER COMPANY 1500KVA - 2500KVA TRANSFORMER PAD WITH FOUNDATION (12 CONDUITS)

McCANN CONCRETE PRODUCTS, INC.  
Precastings To Meet Your Needs



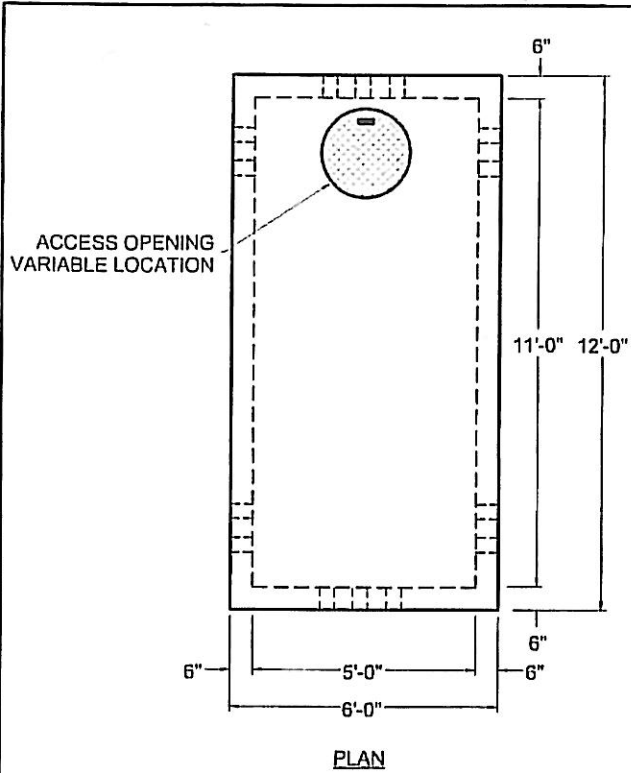
8709 STATE ROUTE 159  
DORSEY, IL 62021  
PHONE: 618-377-3888  
FAX: 618-377-7746

DESIGNED BY \_\_\_\_\_ JOB NO. \_\_\_\_\_

DRAWN BY R.W.G. SHEET 1 OF 1

CHECKED BY \_\_\_\_\_

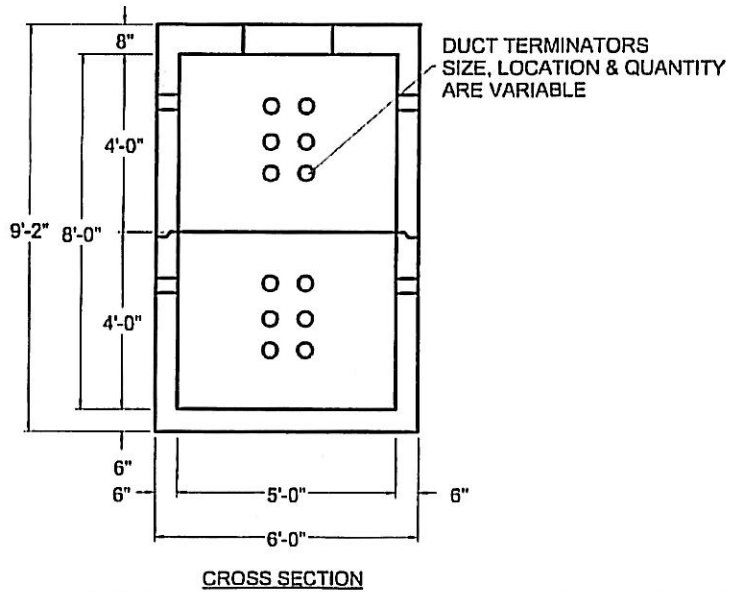
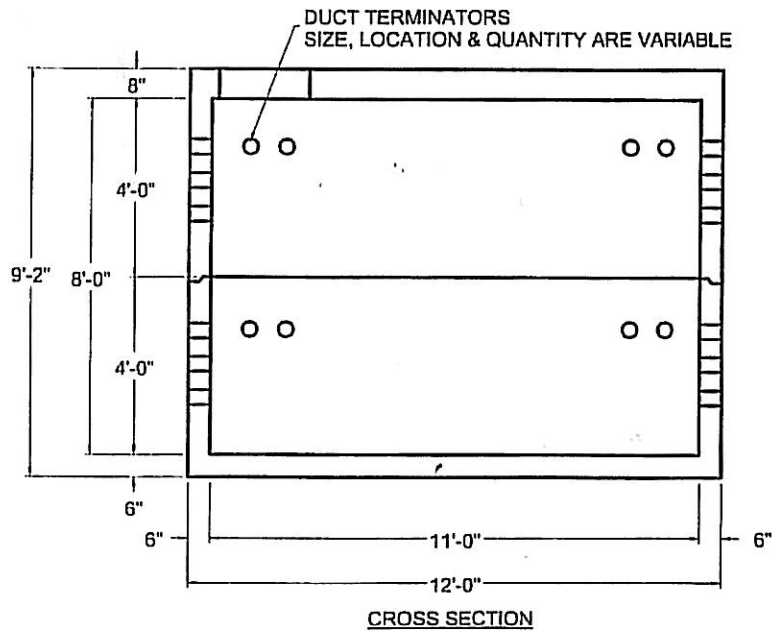
DATE \_\_\_\_\_ 1-1



**GENERAL NOTES**

MINIMUM CONCRETE STRENGTH SHALL BE  
4,500 P.S.I. AFTER 28 DAYS

REINFORCEMENT SHALL BE GRADE 60



REVISIONS

COMMUNICATION MANHOLE

McCANN CONCRETE PRODUCTS, INC.  
Precasting To Meet Your Needs

8709 STATE ROUTE 159  
DORSEY, IL 62021  
PHONE: 618-377-3888  
FAX: 618-377-7746



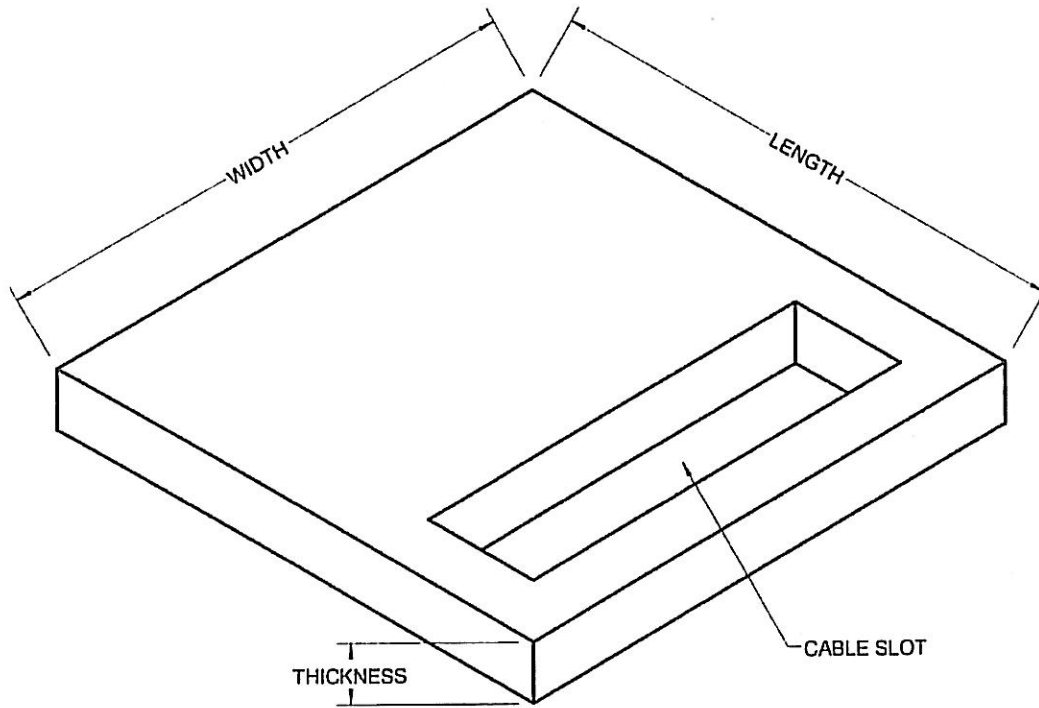
DESIGNED BY	JOB NO.
DRAWN BY R.W.G.	SHEET 1 OF 1
CHECKED BY	
DATE 12/23/03	1-1

REVISIONS

GENERAL NOTES

MINIMUM CONCRETE STRENGTH SHALL BE 4,500 P.S.I. AFTER 28 DAYS.

REINFORCEMENT SHALL BE GRADE 60.



TRANSFORMER PAD

McCANN CONCRETE PRODUCTS, INC.  
Precasting To Meet Your Needs

8709 STATE ROUTE 159  
DORSEY, IL 62021  
PHONE: 618-377-3888  
FAX: 618-377-7746



TYPICAL SIZES

36" X 36"	41" X 60"	48" X 48"	48" X 69"
48" X 72"	60" X 79"	64" X 72"	72" X 72"
72" X 84"			

CUSTOM SIZES AVAILABLE, PLEASE SPECIFY

DESIGNED BY	JOB NO.
DRAWN BY R.W.G.	SHEET 1 OF 1
CHECKED BY	
DA 10/L	1-1